

# STUDIO 5 kW

## Quartz Halogen Fresnel

Preliminary data sheet



- Improved light quality and output, producing a flatter and more even field
- High quality, rugged, durable
- Corrosion resistant for longer life
- Compatibility of parts throughout the range
- A comprehensive range of accessories, interchangeable with existing Quartzcolor products
- Easy to service and maintain
- Bonding eyes and rigging hooks
- Front and back focusing
- New worm drive mechanism for precise focusing
- New focus system, easy to adapt from manual to pole operation and maintenance free
- Easy running adjustable barndoors ears
- Scratch resistant black non-reflective housing
- CE mark, c UL us listed

### Operational data

**Safety:**

25 x 25 mm wire mesh guard.

**Accessory fitting:**

Die cast aluminium ears.  
Spring loaded top catch for retention of accessories.

**Tilt adjustment:**

Pivot located at centre of gravity for excellent balance and positive locking.

**Focus adjustment:**

Front and rear focusing knobs (MO) or front and rear focusing knobs plus side mechanism (PO) for smooth and precise action from spot to flood positions

**Lamp access:**

Hinged lens door allows easy access for lamp replacement.

**Weights & dimensions**

- Lens diameter** 300 mm
- Accessory diameter** 410 mm
- Filter cut size** 400 x 400 mm

**Weight (head + stirrup) M.O.** 17 kg

**Weight (head + stirrup) P.O.** 20 kg

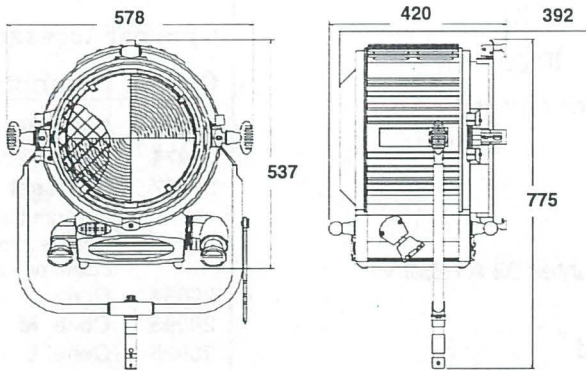
**Packed weight M.O.** 21 kg

**Packed weight P.O.** 25 kg

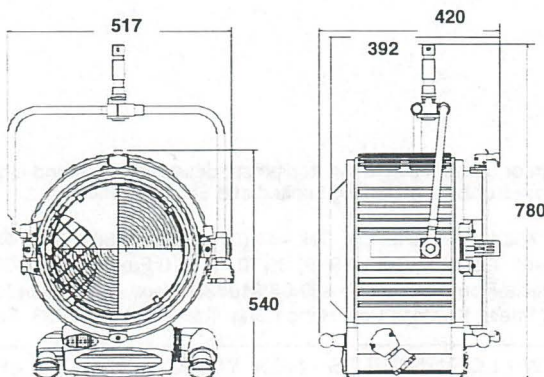
**Packed volume**

M.O. 550 x 540 x 570 mm

P.O. 610 x 640 x 750 mm



M.O.



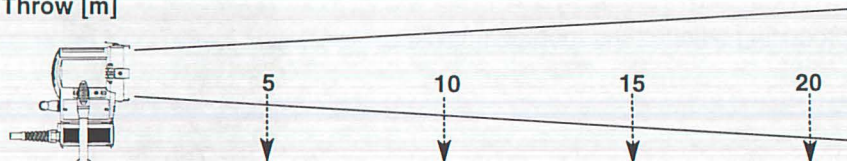
P.O.



**Photometric data**

Typical performance based on CP 29 - 5000 W lamp

Throw [m]



	Lux	φ [m]	Lux	φ [m]	Lux	φ [m]	Lux	φ [m]
<b>SPOT (12°)</b>	19,960	1	4,990	2.1	2,220	3.1	1,250	4.2
<b>FLOOD (63.2°)</b>	3,280	6.1	820	12.3	360	18.5	200	24.6

**Lamp data**

<b>Lamp code</b>	CP29 - 5000 W
<b>LCL (mm)</b>	165
<b>Base</b>	G38
<b>Lumens</b>	135000
<b>Rated life hours (H)</b>	500
<b>Colour temp. (K)</b>	3200

**Mechanical data**

- Paint / Finish:** Powder coated epoxy paint with special extra high temperature treatment in critical areas. External textured low gloss finish
- Lamp house** Die cast aluminium components, stainless steel housing
- Mounting:** Robust tubular MO or PO steel stirrup with EURO spigot

**Environmental Data**

- Max operating ambient temperature:** 45°C
- IP Rating:** IP 20
- Tilt recommended angle of use:** -60° / 0 / 60°

**Electrical data**

- Cable / Switching:** 7 m 3 x 4 mm<sup>2</sup> with side mounted 32 A / 250 V ON-OFF rotary switch
- Standards compliance:** CE mark, c UL us listed

**Ordering information**

**Cat No Description**

- 27270** Studio 5 kW M.O. supplied with stirrup, colour frame, 4 leaf rotating barndoor
- 27272** Studio 5 kW P.O. supplied with P.O.stirrup, colour frame, 4 leaf rotating barndoor

**Optional Accessories**

**Cat. No Description**

- 28097** Colour frame
- 28074** 4 leaf barndoor
- 28307** Scrim set (one double scrim, one single scrim, one half double scrim, one half single scrim)
- 28094** Cone S
- 28095** Cone M
- 28096** Cone L

The Company reserves the right to make any variation in design or construction to the equipment described. © Strand Lighting Ltd 1999. Strand™, Strand Lighting™, Strand Quartzcolor™ are trade marks of Strand Lighting Limited and Strand Lighting Inc.

**Strand Lighting Ltd** North Hyde House Hayes Rd Heston Middx UB2 5NL UK Tel: +44 (0)181 571 3588 Fax: +44 (0)181 571 3305  
**Strand Lighting GmbH** Ullsteinstrasse 114-142 D-12109 Berlin Germany Tel: +49 (0) 30/70 79 51 0 Fax: +49 (0) 30/70 79 519 9  
**Strand Lighting Italia srl** Via delle Gardenie 33 00040 Pomezia-Roma Italy Tel: +39 06 91963.1 Fax: +39 06 9147136  
**Strand Lighting Asia Ltd** 7/F Corporation Square 8 Lam Lok Street Kowloon Bay Hong Kong Tel: +852 2757 3033 Fax: +852 2757 1767

LONDON - BERLIN - ROME - PARIS - MOSCOW - LOS ANGELES - NEW YORK - TORONTO - HONG KONG